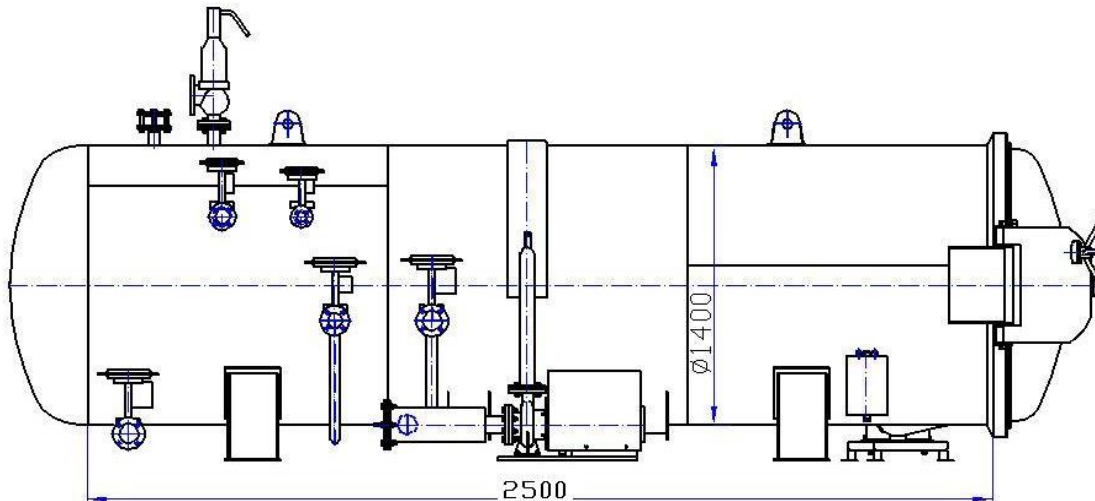


AUTOCLAVE STORILIZER HORIZONTAL ACX 1400/2



TECHNICAL SPECIFICATION

Autoclave capacity:

2 pcs. basket-carts of 600 jars of 720 g = 1200 jars / on loading

- Direct steam heating;
- Cooling with water through showers;
- Opening one side;
- Steam consumption - 250 kg./h; Water - 5 m³ / h, P_{min} = 4 bar;
Air - 1.5 m³ / min, P_{min} = 4 bar;
- Pressure in the device - up to 0.4 MPa; T max = 140 ° C

Workspace

D = 1400 mm; L = 2500 mm

- Power supply (electric) - 380/50 V / Hz
- Insulation - mineral wool and mirror stainless steel
- Number of programs - 99. Automatic process control.
- Installed power - 6 kW
- Overall dimensions: L = 3500 mm; B = 1800 mm; H = 2000 mm;
- Overall dimensions of the basket: L = 972mm; B = 950 mm; H = 888 mm;
- Material - 1.4301 (completely stainless)

Price without VAT (including 2 carts): 59 225 EUR

Basket with cart - 1 pc. (on request additionally) Price without VAT: 1725 EUR

Prices are ex-works of the manufacturer.

The installation is negotiated additionally.